

K2150 Professional long-range microwave motion sensor

Lighting control, security and automatization



Labeled as world efficient solution from Solarimpulse Foundation, Switzerland

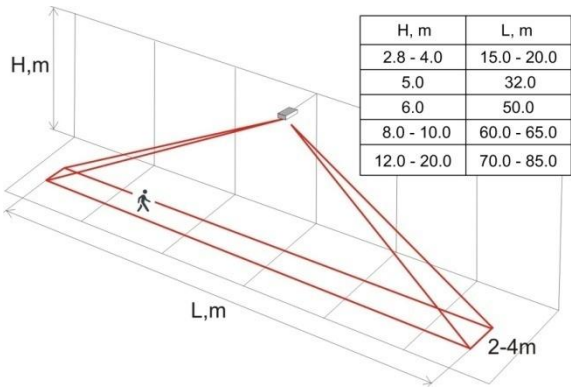
- ❖ Sensor detects movements of a person or vehicle over an area of up to 3,000 square meters
- ❖ One sensor controls an inter-rack aisle up to 80 m long
- ❖ Sensor has additional outputs for connection to alarm systems or IP cameras in a warehouse
- ❖ Sensor can additionally measure the traffic intensity in the aisles for optimizing product layout

Application examples:

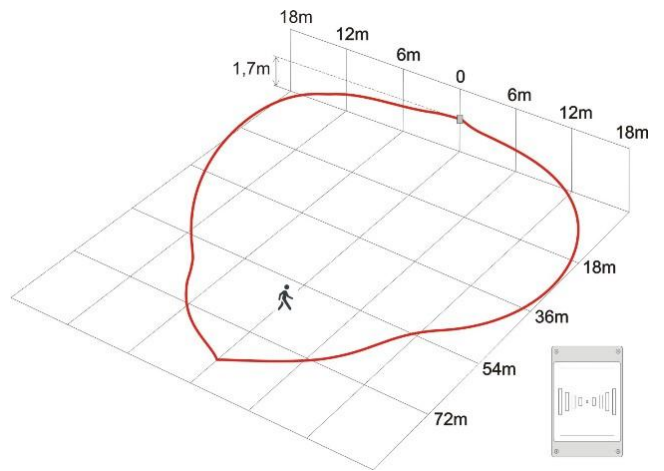
- warehouses from 3 to 30 m high
- cooling and freezing warehouses
- warehouses with high air humidity (storage of vegetables and fruits)
- indoor and outdoor car parking lots
- railway platforms
- long corridors of hotels
- Smart pedestrian crossing
- Smart manufacturing, Ind4.0, Smart streets and Smart Cities
- Smart solar streetlights

Technical data

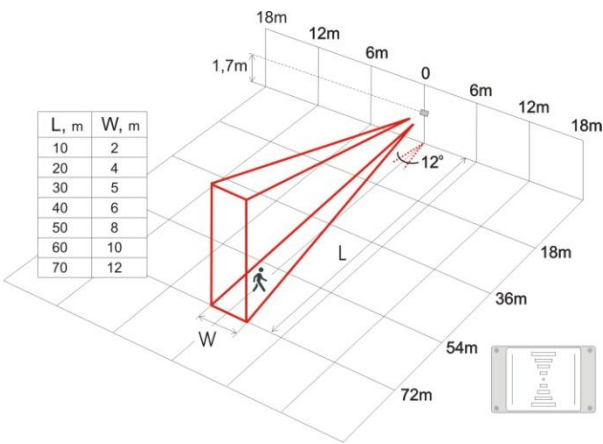
Parameter	Value
Sensor technology	High frequency
HF-system	24 GHz, power < 100 mW, license-free range
Design	Aluminum enclosure with powder coating + polycarbonate cover
Installation	Ceiling and wall vertically or horizontally
Enclosure class of protection	IP65 or IP67 by request
Supply voltage without a mounting box	12 V DC/100 mA DC
Supply voltage with a mounting box, such as K2150PR, K2150PD, etc.	85-305 VAC 47-63Hz, 120-430VDC
Internal consumption	1.2 W
Output signal 1 Type	Relay 30 A 240 V AC (located in the K2150PR mounting box)
Output signal 2 Type	1-10 V, up to 50 fixtures at the 1-10V output
Output signal 3 Type	Normally Open: Solid-State Relay up to 60V, up to 100 mA
Output signal 4 Type	DALI (only with K2150PD mounting box)
Twilight setting	10-700 lux
Delay time setting	30 sec - 10 min
Settings via	Potentiometers, DALI
Object velocity range	0.1-10 m/sec or up to 36 km/h (other speed ranges and movement directions - on request)
Detection angle	160°x12°
Range - wall installing vertically	70 x 40 m
Range - wall installing horizontally	70 x 12 m (12 m - at the end of the zone)
Range - ceiling installation	85 x 4 m (4 m - depends on the installation height)
Ceiling mounting height	3.00 m – 30.00 m
Wall mounting height	1.5 m – 2.0 m (recommended)
Capability of masking by curtain	Yes
Test mode	Yes
Ambient temperature	-30°C to +65°C
External dimensions	125x80x40 mm sensor and 115x90x55 mm mounting box
Manufacturer's Warranty	5 years
HF-system complies following standards	- Safety / Health — EN 62311 2008, EN 62368-1 2014 +AC:2015 - Electromagnetic compatibility — ETSI EN 301 489-1 (V2.1.1), ETSI EN 301 489-3 (DRAFT 2.1.1) - Efficient use of the radio frequency spectrum — ETSI EN 300 440 (V2.1.1)



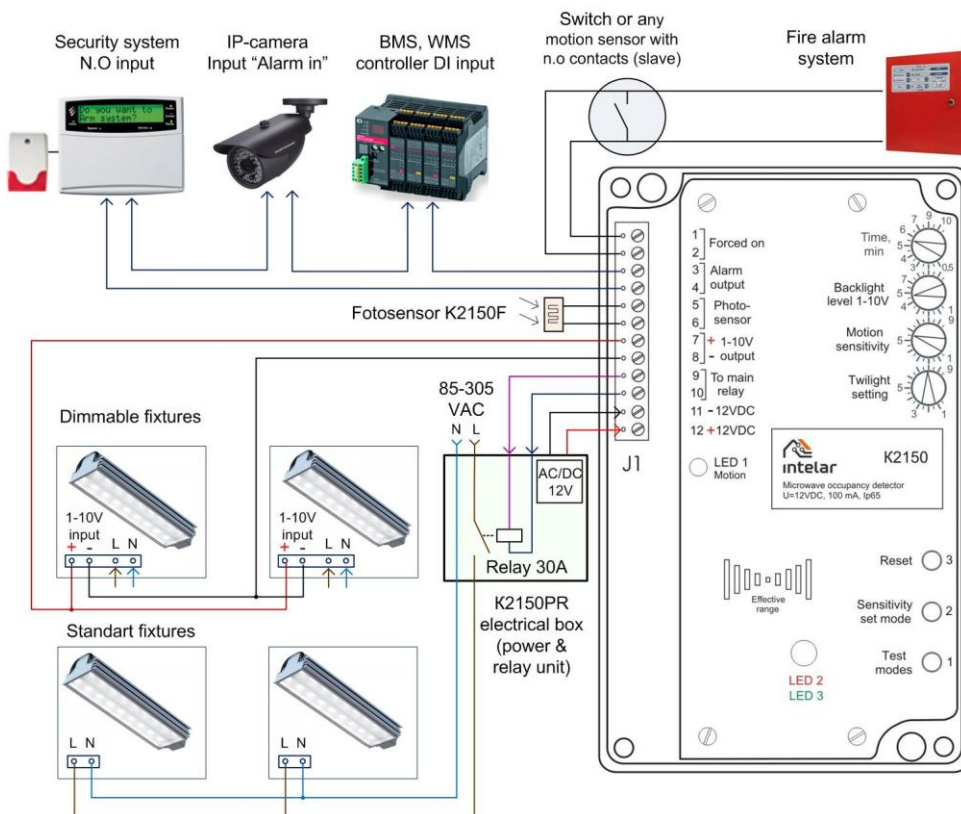
The length of the K2150 sensor's sensitive area depends on the installation height H (person's movement tracing)



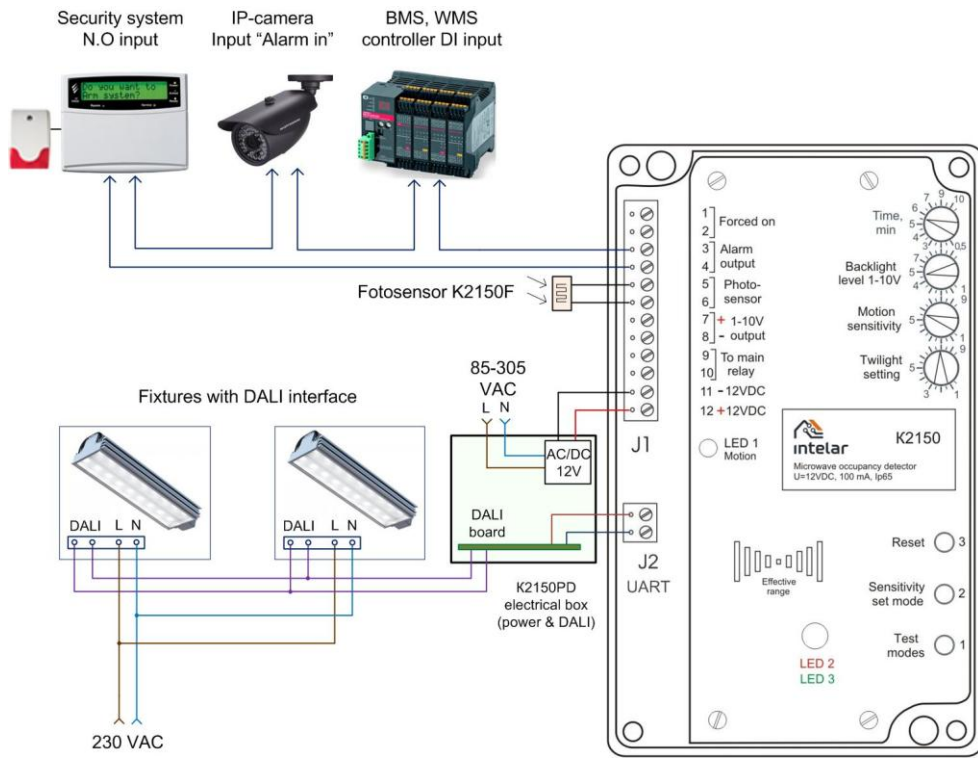
The K2150 sensor's sensitive area when vertically installed on a wall



The K2150 sensor's sensitive area when horizontally installed on a wall.

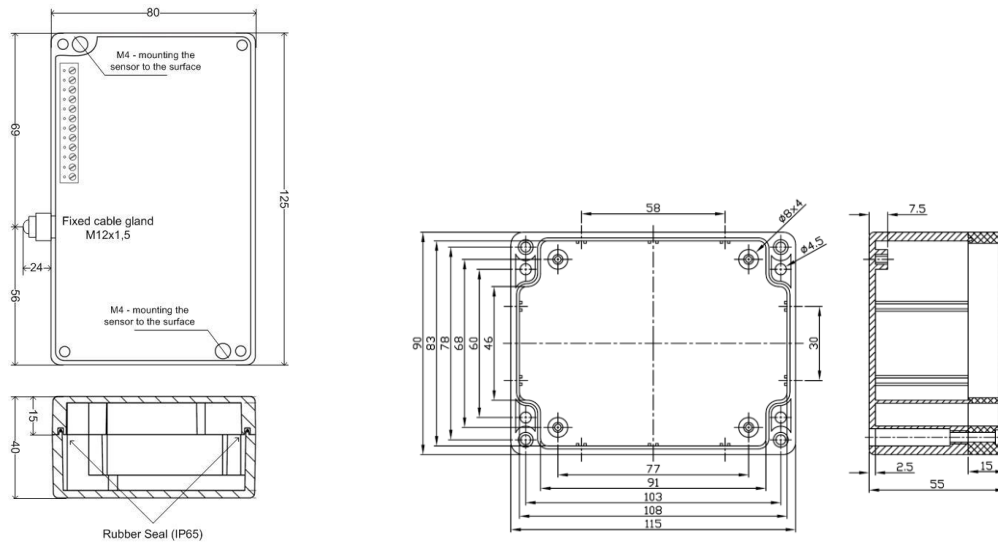


K2150 sensor connection diagram (relay and 1-10V control)



K2150 sensor connection diagram for DALI control

Relay and 1-10V outputs also operate in this case! You can use DALI only for remotely configure motion sensors



Sensor and mounting box dimensions